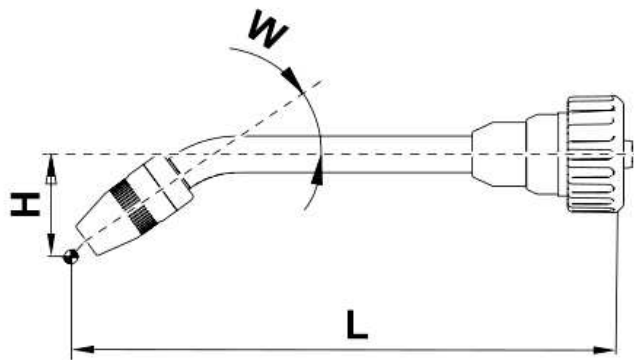
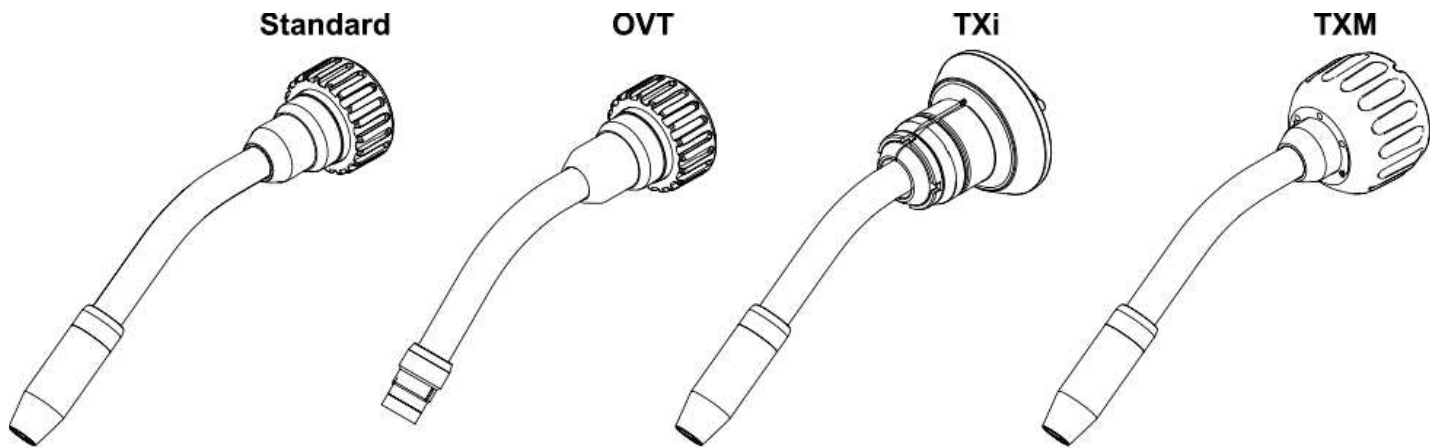


**MTB 400i W R /36°/L224/H86**

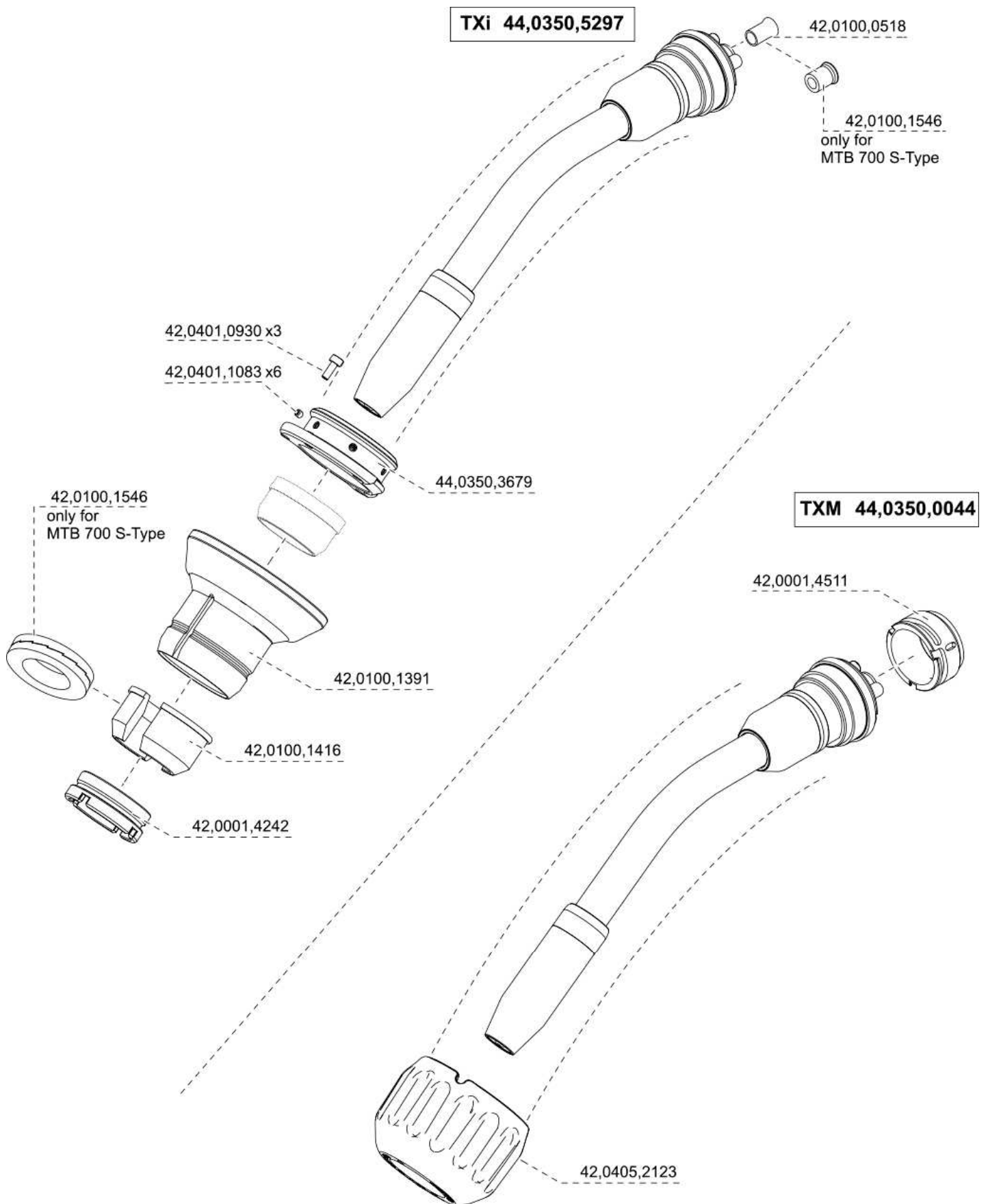
**44,0350,3491**

# MTB 400i W R /36°/L224/H86 (44,0350,3491)

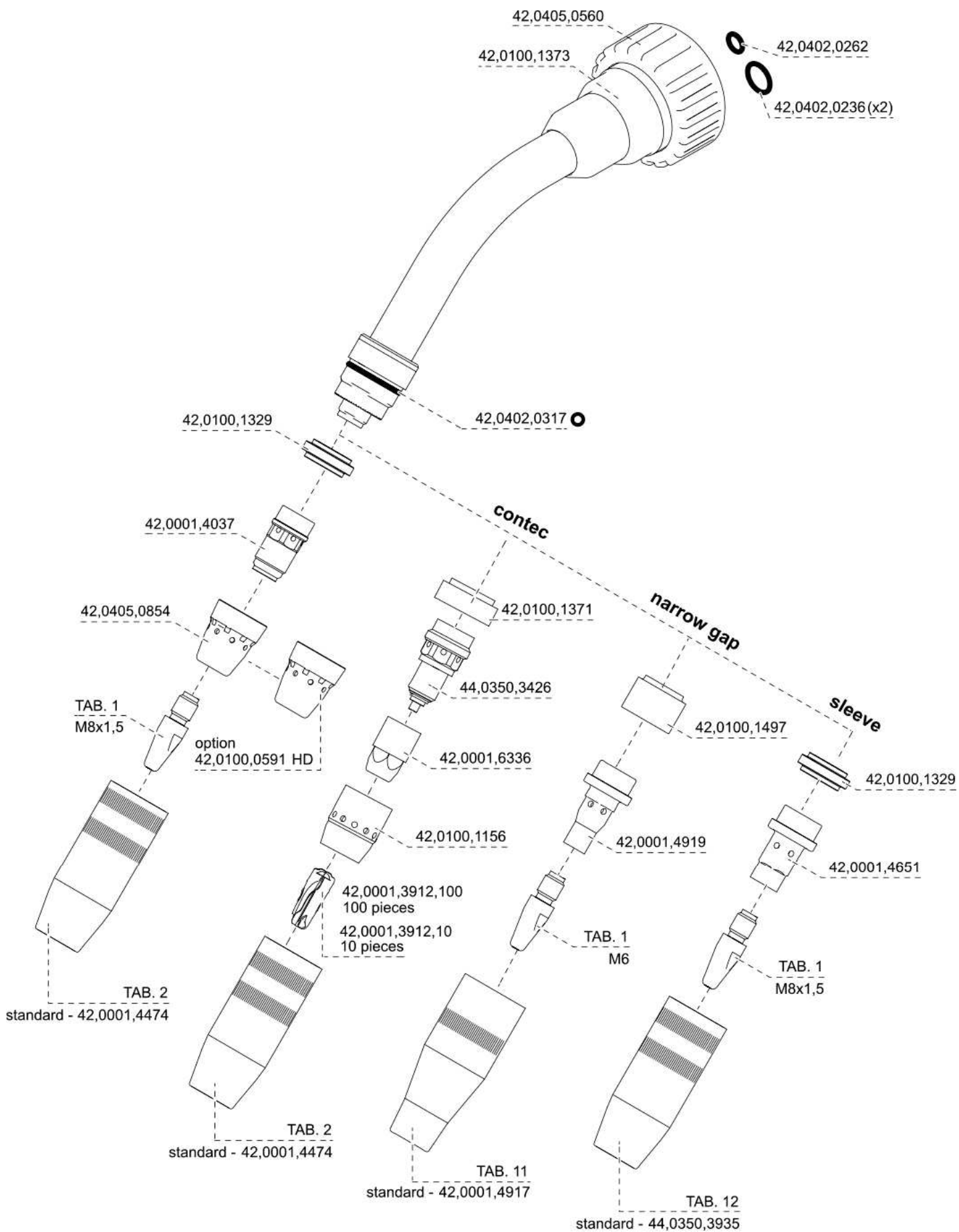


MTB 400i W R	L		H		Standard	OVT	TXi	TXM
	mm	inch	mm	inch				
22°	241	9.488	50	1.996	44,0350,3490	44,0350,3490,630	44,0350,3490,636	44,0350,3490,637
36°	224	8.818	86	3.385	44,0350,3491	44,0350,3491,630	44,0350,3491,636	44,0350,3491,637
45°	209	8.228	107	4.212	44,0350,3492	44,0350,3492,630	44,0350,3492,636	44,0350,3492,637

# MTB 400i W R /36°/L224/H86 (44,0350,3491)



# MTB 400i W R /36°/L224/H86 (44,0350,3491)



<b>TAB. 1</b>		<b>Ø mm</b>	<b>Ø inch</b>	<b>Part No.</b>
		0,6	0,023	42,0001,4928
		0,7	0,027	42,0001,6524,10
		0,8	0,030	42,0001,4461,10
		0,9	0,035	42,0001,4462,10
		1,0	0,040	42,0001,4463,10
		1,1	0,043	42,0001,6527,10
		1,2	0,045	42,0001,4464,10
		1,3	0,051	42,0001,6529,10
		1,4	0,052	42,0001,4465,10
		1,5	0,059	42,0001,6522,10
		1,6	0,062	42,0001,4466,10
		0,7	0,027	42,0001,6482,10
		0,8	0,030	42,0001,6464,10
		0,9	0,035	42,0001,6465,10
		1,0	0,040	42,0001,6466,10
		1,1	0,043	42,0001,6483,10
		1,2	0,045	42,0001,6467,10
		1,3	0,051	42,0001,6484,10
		1,4	0,052	42,0001,6468,10
		1,5	0,059	42,0001,6485,10
		1,6	0,062	42,0001,6469,10
		1,8	0,071	42,0001,6470,10
		2,0	0,078	42,0001,6471,10
		2,4	0,095	42,0001,6472,10
		2,8	0,110	42,0001,4642,10
<b>AI</b> 		0,8	0,030	42,0001,6525,10
		1,0	0,040	42,0001,6526,10
		1,2	0,045	42,0001,6528,10
		1,6	0,062	42,0001,6523,10
<b>AI</b> 		0,8	0,030	42,0001,6537,10
		1,0	0,040	42,0001,4750,10
		1,2	0,045	42,0001,4751,10
		1,6	0,062	42,0001,4752,10



# MTB 400i W R /36°/L224/H86 (44,0350,3491)

**TAB. 2**

		d1		d2		d3		L		Part No.		
		mm	inch	mm	inch	mm	inch	mm	inch			
MTW 250i	MTG 250i	M20x2										
		8	0.31	22	0.86	10,4	0.41	58	2.28	42,0001,6664		standard MTW 250i Braze
		10	0.39	22	0.86	13,0	0.51	54	2.13	42,0001,4083		
		13	0.51	22	0.86	16,1	0.63	54	2.13	42,0001,4799		
		13	0.51	22	0.86	16,1	0.63	56	2.20	42,0001,4477		standard MTB 250i G/W R
		10	0.39	22	0.86	13,0	0.51	58	2.28	42,0001,4084		
		13	0.51	22	0,86	16,1	0.63	58	2.28	42,0001,4498	AI	
		13	0,51	22	0,86	16,1	0.63	58	2.28	42,0001,4065		standard MTG/MTW 250i
		15	0,59	22	0,86	18,3	0.72	58	2.28	42,0001,4493		
		18	0,71	22	0,86	22	0.87	58	2.28	42,0001,4055		
MTW 400i/500i	MTG 320i/400i	M23x2										
		13	0.51	25	0.98	16,4	0.64	59	2.32	42,0001,4085		
		15	0.59	25	0.98	18,6	0.73	59	2.32	42,0001,4048		
		13	0.51	25	0.98	16,4	0.64	61	2.40	42,0001,4086		standard MTB 320i G R
		15	0.59	25	0.98	18,1	0.71	61	2.40	42,0001,4474		standard MTB 400i W R
		15	0.59	27	1.06	20,2	0.80	61	2.40	42,0001,4789		MTB 400i W R, heavy duty
		17	0.71	25	0.98	20,8	0.82	61	2.40	42,0001,4476		standard MTB 500i W R
		13	0.51	25	0.98	16,4	0.64	63	2.48	42,0001,4080		standard MTG 320i
		13	0.51	25	0.98	16,4	0.64	63	2.48	42,0001,4497	AI	
		15	0.59	25	0.98	18,6	0.73	63	2.48	42,0001,4051		standard MTW 400i
		15	0.59	25	0.98	18,6	0.73	63	2.48	42,0001,4496	AI	
		17	0.71	25	0.98	20,8	0.82	63	2.48	42,0001,4050		standard MTW 500i
		17	0.71	27	1.06	20,8	0.82	63	2.48	42,0001,4216		MTW 500i, heavy duty
		17	0.71	25	0.98	20,8	0.82	63	2.48	42,0001,4494	AI	
		21	0.82	25	0.98	25,0	0.98	63	2.48	42,0001,4054		
		15	0.59	25	0.98	18,6	0.73	68	2.68	42,0001,4052		
		17	0.71	25	0.98	20,8	0.82	68	2.68	42,0001,4049		
		13	0.51	25	0.98	16,4	0.64	71	2.80	42,0001,4087		
		15	0.59	25	0.98	18,6	0.73	71	2.80	42,0001,4788		
		13	0.51	25	0.98	16,4	0.64	73	2.87	42,0001,4088		
		15	0.59	25	0.98	18,6	0.73	73	2.87	42,0001,4475		standard MTB 400i G R
		15	0.59	27	1.06	18,6	0.73	73	2.87	42,0001,4790		MTB 400i G R, heavy duty
		15	0.59	25	0.98	18,6	0.73	75	2.95	42,0001,4495	AI	
15	0.59	25	0.98	18,6	0.73	75	2.95	42,0001,4045		standard MTG 400i		
17	0.71	25	0.98	20,8	0.82	75	2.95	42,0001,4043				
21	0.82	25	0.98	25,0	0.98	75	2.95	42,0001,4053				
15	0.59	25	0.98	18,6	0.73	80	3.15	42,0001,4047				

**TAB. 12**

		d1		d2		d3		L		Part No.		
		mm	inch	mm	inch	mm	inch	mm	inch			
MTB W400i W R H	MTB W500i W R H	M23x2										
15	0.59	ø25	0.98	18,6	0.73	61	2.40	44,0350,3935			standard MTB 400i W R H	
17	0.66	ø25	0.98	20,8	0.82	61	2.40	44,0350,3936			standard MTB 500i W R H	

**TAB. 5**

MTB 700i  
MTW 750i

	d1		d2		d3		L		Part No.		
	mm	inch	mm	inch	mm	inch	mm	inch			
①	17	0.66	ø29	1.10	22	0.86	71	2,79	44,0350,3966		Standard MTW 700i/750i
②	17	0.66	ø29	1.10	22	0.86	29	1.14	42,0001,4257		Standard MTW 700i/750i
①	17	0.66	ø29	1.10	22	0.86	76	3.00	44,0350,3942		HD
②	17	0.66	ø29	1.10	22	0.86	34	1.34	42,0001,4670		HD
①	17	0.66	ø29	1.10	22	0.86	68,5	2.70	44,0350,4079		Standard MTB 700i W R
②	17	0.66	ø29	1.10	22	0.86	26,5	1.04	42,0001,4868		Standard MTB 700i W R

42,0402,0304  
Ø 25x1,5mm

42,0402,0305  
Ø 21x1,5mm

42,0402,0305  
Ø 21x1,5mm

# MTB 400i W R /36°/L224/H86 (44,0350,3491)

TAB. 6				d1		d2		d3		L		Part No.		
		mm	inch	mm	inch	mm	inch	mm	inch	mm	inch			
MTB G 330i R	MTB W 330i R	M23x2		13	0.51	ø25	0.98	16	0.63	37	1.46	42,0001,4533		not possible at MTB 330i G R H standard MTB 330i W R / G ML
		13	0.51	ø25	0.98	16	0.63	41	1.61	42,0001,4487				
		13	0.51	ø25	0.98	16	0.63	41	1.61	42,0001,4534	AI			
		13	0.51	ø25	0.98	16	0.63	39,5	1.56	42,0001,4902			standard MTB 330i G R   G R H	
		15	0.59	ø25	0.98	18	0.72	39,5	1.56	42,0001,5023				

TAB. 7				d1		d2		d3		L		Part No.	
		mm	inch	mm	inch	mm	inch	mm	inch	mm	inch		
MTB W 330i W R H	M23x2	13	0.51	ø25	0.98	16	0.63	41	1.61	42,0001,4486			standard MTB 330i W R H

TAB. 8				d1		d2		d3		L		Part No.	
		mm	inch	mm	inch	mm	inch	mm	inch	mm	inch		
MTB W 330i R MTB G 330i R	M23x2	13	0.51	ø25	0.98	16	0.63	56	2.21	42,0001,4745			
		13	0.51	ø25	0.98	16	0.63	50	1.97	42,0001,6772			

TAB. 9				d1		d2		d3		L		Part No.	
		mm	inch	mm	inch	mm	inch	mm	inch	mm	inch		
MTB G 330i R long	M23x2	13	0.51	ø27	1.06	18	0.72	53	2.09	42,0001,4858			standard MTB 330i G R
		15	0.59	ø27	1.06	18	0.72	53	2.09	42,0001,4857			
		15	0.59	ø27	1.06	18	0.72	57	2.09	42,0001,4856			

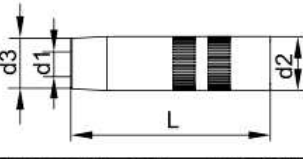
TAB. 10				d1		d2		d3		L		Part No.		
		mm	inch	mm	inch	mm	inch	mm	inch	mm	inch			
MTG 550i	M25x3	15	0.59	ø27	1.06	19	0.75	67	2.64	44,0350,2020				
		17	0.67	ø27	1.06	21	0.83	67	2.64	44,0350,2021				
		15	0.59	ø27	1.06	19	0.75	74	2.91	44,0350,1991				
		17	0.67	ø27	1.06	21	0.83	74	3.91	44,0350,1995				
		15	0.59	ø27	1.06	19	0.75	80,5	3.17	44,0350,1987				
		15	0.59	ø27	1.06	19	0.75	82,5	3.25	44,0350,1988				
		17	0.67	ø27	1.06	21	0.83	83,5	3.29	44,0350,3179				
		18	0.71	ø27	1.06	22	0.89	87,5	3.44	44,0350,3180				standard MTG 550i

TAB. 11				d1		d2		d3		L		Part No.	
		mm	inch	mm	inch	mm	inch	mm	inch	mm	inch		
MTB 400/500i W R MTB 320/400i G R	M23x2	13	0.51	ø25	0.98	16	0.63	62,5	2.46	42,0001,4917			standard MTB 320i G / 400/500i W
		10	0.39	ø25	0.98	16	0.63	68,0	2.68	42,0001,6715			
		13	0.51	ø25	0.98	16	0.63	68,0	2.68	42,0001,6716			
		13	0.51	ø25	0.98	16	0.63	74,5	2.93	42,0001,4918			standard MTB 400i G

TAB. 14				d1		d2		d3		L		Part No.	
		mm	inch	mm	inch	mm	inch	mm	inch	mm	inch		
MTG 400i	plug	15	0.51	ø25	0.79	19	0.63	69,5	2.91	42,0001,0972			standard MTB 400i G

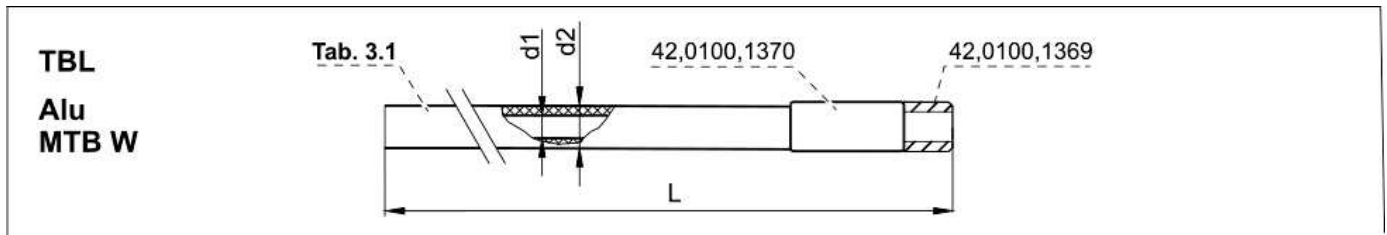
TAB. 15				d1		d2		d3		L		Part No.	
		mm	inch	mm	inch	mm	inch	mm	inch	mm	inch		
MTW 500i	plug	17	0.66	ø27	1.06	22,2	0.87	85	3.34	44,0350,2036			standard MTB 500i W

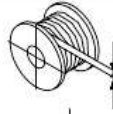
# MTB 400i W R /36°/L224/H86 (44,0350,3491)

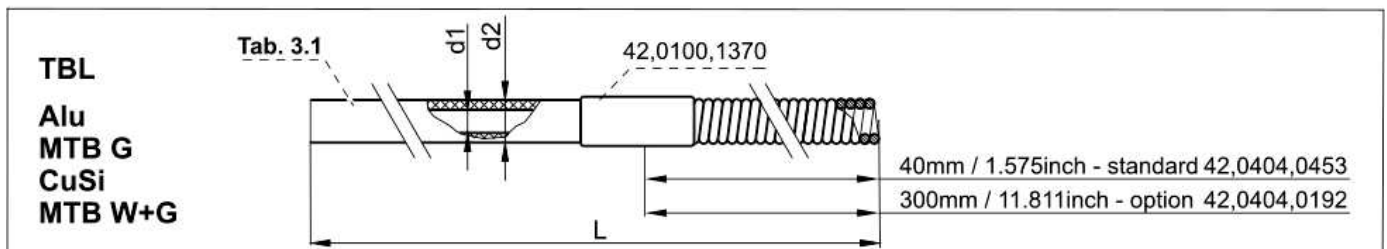
<b>TAB. 13</b> 											
		d1		d2		d3		L		Part No.	
		mm	inch	mm	inch	mm	inch	mm	inch		
MTB 350i G R	M18x2,5	13	0.51	ø20	0.79	16	0.63	74	2.91	42,0001,0225	
MTB 350d G R		16	0.63	ø20	0.79	18,6	0.73	74	2.91	42,0001,0226	standard MTB 350i/d G R



# MTB 400i W R /36°/L224/H86 (44,0350,3491)



 Ø mm   Ø inch		L		d1		d2		Part No.
		m	inch	mm	inch	mm	inch	
0,8	.030	0,25	9.842	1,2	.059	4,7	.185	44,0350,3708
0,8	.030	0,65	25.6	1,2	.059	4,7	.185	44,0350,3718
0,9-1,0	.035/.040	0,25	9.842	1,5	.062	4,7	.185	44,0350,3709
0,9-1,0	.035/.040	0,65	25.6	1,5	.062	4,7	.185	44,0350,3719
1,2	.045	0,25	9.842	1,8	.074	4,7	.185	44,0350,3710
1,2	.045	0,65	25.6	1,8	.074	4,7	.185	44,0350,3720
1,4-1,6	.052/.062	0,25	9.842	2,4	.098	4,7	.185	44,0350,3711
1,4-1,6	.052/.062	0,65	25.6	2,4	.098	4,7	.185	44,0350,3721
2,0	.078	0,25	9.842	3,0	.118	4,7	.185	44,0350,3712
2,0	.078	0,65	25.6	3,0	.118	4,7	.185	44,0350,3722

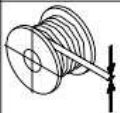


 Ø mm   Ø inch		L		d1		d2		Part No.
		m	inch	mm	inch	mm	inch	
0,8	.030	0,25	9.842	1,2	.059	4,7	.185	44,0350,3713
0,8	.030	0,65	25.6	1,2	.059	4,7	.185	44,0350,3723
0,9-1,0	.035/.040	0,25	9.842	1,5	.062	4,7	.185	44,0350,3714
0,9-1,0	.035/.040	0,65	25.6	1,5	.062	4,7	.185	44,0350,3724
1,2	.045	0,25	9.842	1,8	.074	4,7	.185	44,0350,3715
1,2	.045	0,65	25.6	1,8	.074	4,7	.185	44,0350,3725
1,4-1,6	.052/.062	0,25	9.842	2,4	.098	4,7	.185	44,0350,3716
1,4-1,6	.052/.062	0,65	25.6	2,4	.098	4,7	.185	44,0350,3726
2,0	.078	0,25	9.842	3,0	.118	4,7	.185	44,0350,3717
2,0	.078	0,65	25.6	3,0	.118	4,7	.185	44,0350,3727

# MTB 400i W R /36°/L224/H86 (44,0350,3491)

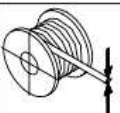
**Tab. 3**

**STEEL  
MTG/MTW**

	Fe		d1		d2		Part No. L		Part No. L		Part No. L	
	Ø mm	Ø inch	mm	inch	mm	inch	5m	16.4feet	15m	49.2feet	50m	160feet
	0,8	.030	1,4	.055	4,4	.176	40,0002,0040,005		40,0002,0040,015		40,0002,0040,050	
	0,9-1,0	.035-.040	1,6	.062	4,8	.189	40,0002,0041,005		40,0002,0041,015		40,0002,0041,050	
	1,2	.045	1,9	.074	4,9	.192	40,0002,0042,005		40,0002,0042,015		40,0002,0042,050	
	1,4-1,6	.052-1/16	2,5	.098	4,9	.192	40,0002,0043,005		40,0002,0043,015		40,0002,0043,050	

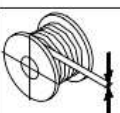
**Tab. 3**

**CrNi  
MTG/MTW**

	Fe		d1		d2		Part No. L		Part No. L		Part No. L	
	Ø mm	Ø inch	mm	inch	mm	inch	5m	16.4feet	15m	49.2feet	50m	160feet
	0,8	.030	1,4	.055	4,4	.176	40,0002,0044,005		40,0002,0044,015		40,0002,0044,050	
	0,9-1,0	.035-.040	1,6	.062	4,8	.189	40,0002,0045,005		40,0002,0045,015		40,0002,0045,050	
	1,2	.045	1,9	.074	4,9	.192	40,0002,0046,005		40,0002,0046,015		40,0002,0046,050	
	1,4-1,6	.052-1/16	2,5	.098	4,9	.192	40,0002,0047,005		40,0002,0047,015		40,0002,0047,050	

**Tab. 3.1**

**Gaphit  
MTB W+G**

	Fe		d1		d2		Part No. L		Part No. L		Part No. L	
	Ø mm	Ø inch	mm	inch	mm	inch	10m	32.8feet	30m	98feet	100m	328feet
	0,8	.030	1,2	.047	4,7	.185	40,0001,0529,010		40,0001,0529,030		40,0001,0529,100	
	0,9-1,0	.035-.040	1,5	.059	4,7	.185	40,0001,0530,010		40,0001,0530,030		40,0001,0530,100	
	1,2	.045	1,8	.070	4,7	.185	40,0001,0531,010		40,0001,0531,030		40,0001,0531,100	
	1,4-1,6	.052-1/16	2,4	.094	4,7	.185	40,0001,0532,010		40,0001,0532,030		40,0001,0532,100	
	2,0	5/64	3,0	.118	4,7	.185	40,0001,0533,010		40,0001,0533,030		40,0001,0533,100	

# MTB 400i W R /36°/L224/H86 (44,0350,3491)

## ACCESSORY MTB R

42,0410,0570 - contact tip M6 - TPSi  
42,0410,0138 - contact tip M8x1,5 - TPSi

**Twin**

43,0009,0044

**Single**

43,0009,0007

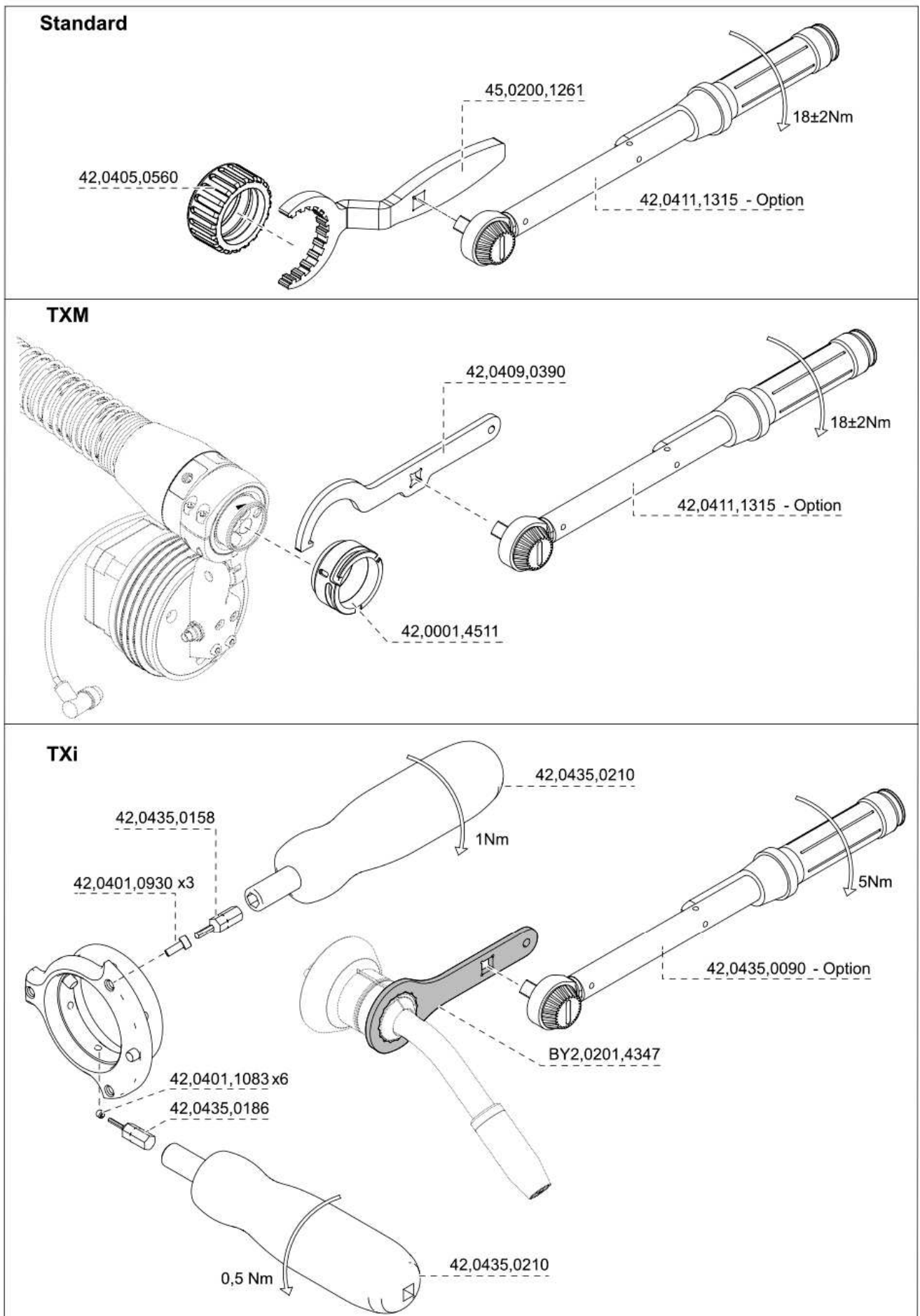
	stick out		Part. No.	Welding Type
	mm	inch		
M6	13	0.51	42,0001,4275	MTB 250i G/W R / MTB 330i G/W R
M6	15	0.59	42,0001,4126	MTB 350i G R/MTB 400i G R / special length
M8x1,5	15	0.59	42,0001,4277	MTB 320i G R / MTB 400i G/W R
M8x1,5	17	0.67	42,0001,4278	MTB 500i W R / MTB 700i W R

### TOOLS

- 42,0201,3216
- MTB 700i W R
- 7±1Nm
- M6 -3Nm
- M8x1,5 -5Nm
- 8Nm
- 44,0450,1938  
only for  
MTB 320i G R  
MTB 330i G R  
MTB 350i G R  
MTB 400i G R
- 40,0009,0044  
tube includes fat for  
sealing rings (O-rings)
- 40,0009,0158  
tube includes  
copperpaste  
only for  
MTB 320i G R  
MTB 400i G R

# MTB 400i W R /36°/L224/H86 (44,0350,3491)

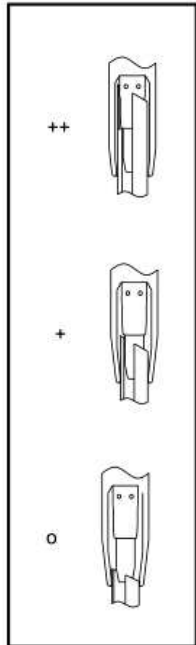
## ACCESSORY MTB i R





# MTB 400i W R /36°/L224/H86 (44,0350,3491)

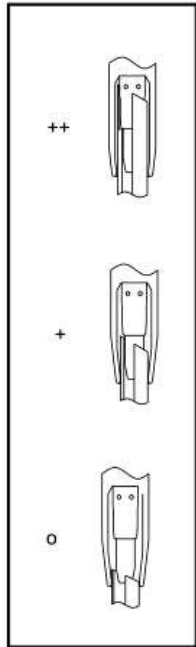
Gas nozzle  
milling tool



	Gas nozzle		ROBACTA REAMER	BINZEL	ABB			
	Ømm	Øinch	Part No.	Part No.	Part No.			
250i W	13	.512	44,0450,1158	+	42,0001,5020	+	42,0001,5315	+
	10	.394	44,0450,1480	o	outage	-	outage	-
330i W	15	.591	44,0450,1385	+	42,0001,5019	.	42,0001,5317	.
	13	.512	44,0450,1158	+	42,0001,5020	+	42,0001,5315	+
400i W	17	.669	44,0450,1161	+	42,0001,5545	.	42,0001,5314	.
	15	.591	44,0450,1160	+	42,0001,5019	.	42,0001,5317	.
	13	.512	44,0450,1158	o	42,0001,5020	+	42,0001,5315	+
500i W	17	.669	44,0450,1161	+	42,0001,5545	.	42,0001,5314	.
	15	.591	44,0450,1160	+	outage	-	outage	-
	13	.512	44,0450,1158	o	42,0001,5020	+	42,0001,5315	+
700i W	17	.669	44,0450,1014	++	42,0001,2996	.	42,0001,5314	.
	15	.591	44,0450,1013	++	42,0001,3585	.	42,0001,5317	.
250i G	13	.512	44,0450,1158	+	42,0001,5020	+	42,0001,5315	+
	10	.394	44,0450,1480	o	outage	-	outage	-
320i G	17	.669	44,0450,1161	+	42,0001,5545	.	42,0001,5314	.
	15	.591	44,0450,1160	+	42,0001,5019	.	42,0001,5317	.
	13	.512	44,0450,1485	o	outage	-	outage	-
330i G	15	.591	44,0450,1385	+	42,0001,5019	.	42,0001,5317	.
	13	.512	44,0450,1158	+	42,0001,5020	+	42,0001,5315	+
350i G	16	.630	44,0450,1992	+	outage	-	outage	-
	13	.512	44,0450,1993	+	outage	-	outage	-
400i G	17	.669	44,0450,1161	+	42,0001,5545	.	42,0001,5314	.
	15	.591	44,0450,1160	+	42,0001,5019	.	42,0001,5317	.
	13	.512	44,0450,1485	o	outage	-	outage	-

# MTB 400i W R /36°/L224/H86 (44,0350,3491)

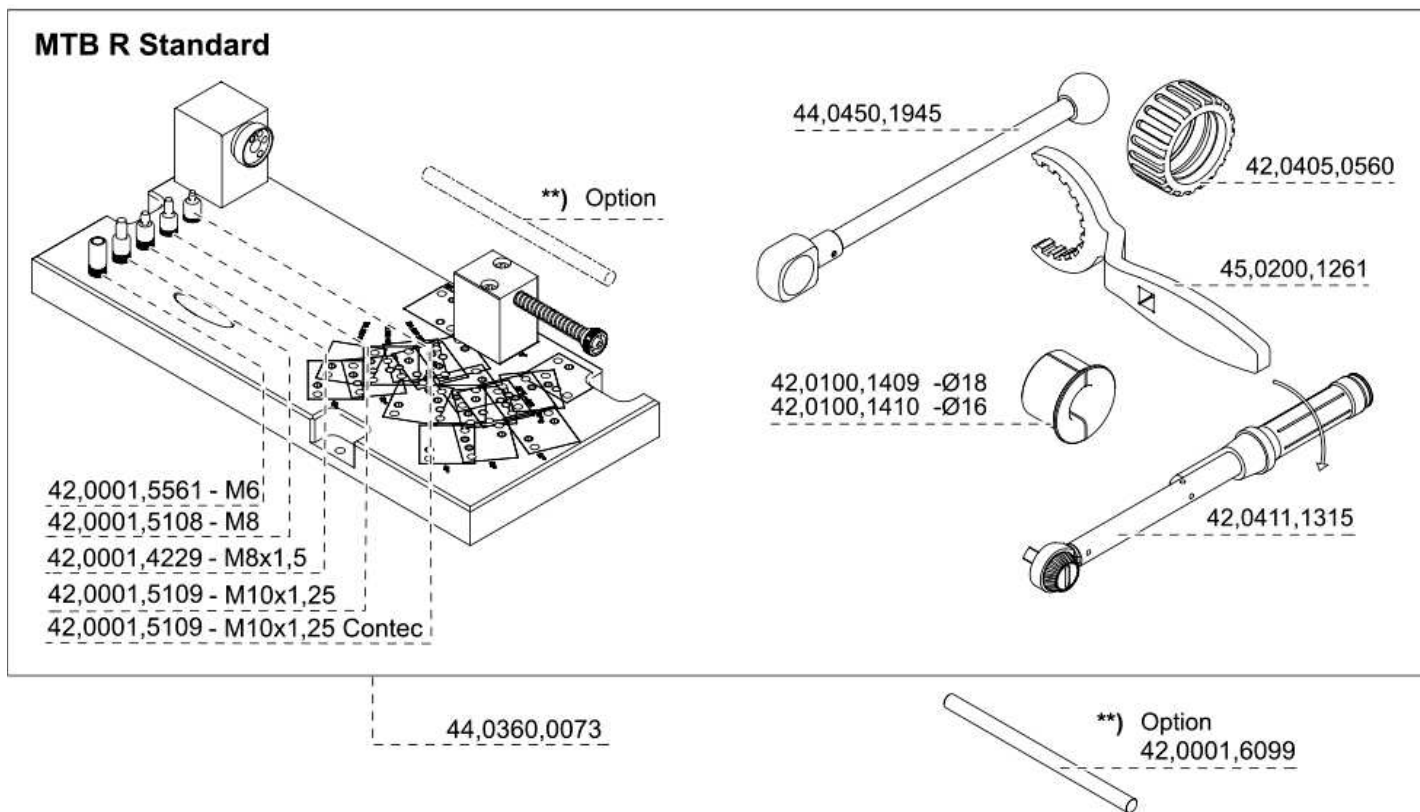
Gas nozzle  
milling tool



Contec	Gas nozzle		ROBACTA REAMER	BINZEL	ABB				
	Ømm	Øinch	Part No.	Part No.	Part No.				
400i W	17	.669	44,0450,1486	+	outage	-	outage	-	
	15	.591	44,0450,1385	o	42,0001,5019	.	42,0001,5317	.	
500i W	17	.669	44,0450,1486	+	outage	-	outage	-	
	15	.591	44,0450,1385	o	42,0001,5019	.	42,0001,5317	.	
700i W	17	.669	44,0450,1158	o	42,0001,5020	+	42,0001,5315	+	
320i G	17	.669	44,0450,1483	+	outage	-	outage	-	
	15	.591	44,0450,1385	o	42,0001,5019	.	42,0001,5317	.	
	13	.512	44,0450,1158	o	42,0001,5020	+	42,0001,5315	+	
400i G	17	.669	44,0450,1481	+	outage	-	outage	-	
	15	.591	44,0450,1385	o	42,0001,5019	.	42,0001,5317	.	
<b>sleeve system</b>									
330i W H	13	.512	44,0450,1482	++	outage	-	outage	-	
400i W H	17	.669	44,0450,1014	++					
	15	.591	44,0450,1013	++					
500i W H	17	.669	44,0450,1014	++					
	15	.591	44,0450,1013	++					
320i G H	17	.669	44,0450,1016	++					
	15	.591	44,0450,1015	++					
	13	.512	44,0450,1485	o					
330i G H	13	.512	44,0450,1482	++	outage	-	outage	-	
330i G H /long	15	.591	44,0450,1015	++					
400i G H	17	.669	44,0450,1016	++					
	15	.591	44,0450,1015	++					
	13	.512	44,0450,1485	o					

# MTB 400i W R /36°/L224/H86 (44,0350,3491)

## Examination device MTB R long

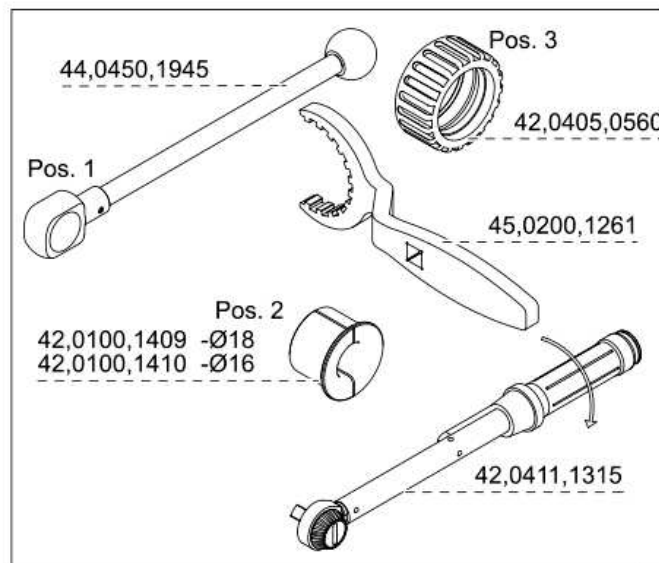
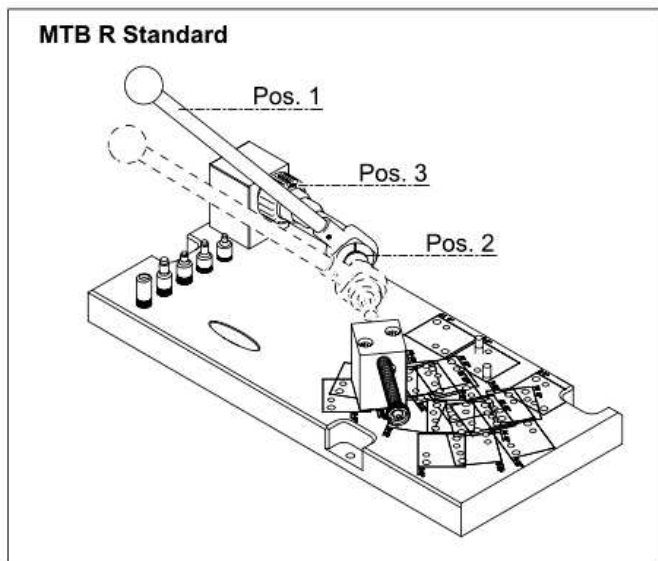


Been suitable for this MTB R types:

MTB 400i W R					
22°	44,0350,3490	241	9.488	50	1.968
36°	44,0350,3491	224	8.818	86	3.385
45°	44,0350,3492	209	8.228	107	4.212

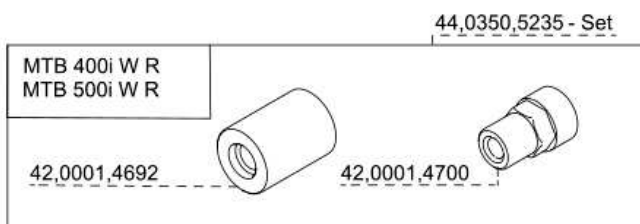
# MTB 400i W R /36°/L224/H86 (44,0350,3491)

## Correcting device MTB R



44,0350,5241 - Set

## Correcting Set's





## MTB 400i W R /36°/L224/H86 (44,0350,3491)

Artikelnr.	Bezeichnung	Einheit
44,0350,3490,630	MTB 400i W R OVT /22°/L241/H50	Stk
44,0350,3491,630	MTB 400i W R OVT /36°/L224/H86	Stk
44,0350,3492,630	MTB 400i W R OVT/45°/L209/H107	Stk
44,0350,3490	MTB 400i W R /22°/L241/H50	Stk
44,0350,3492	MTB 400i W R /45°/L209/H107	Stk
44,0350,3491	MTB 400i W R /36°/L224/H86	Stk
44,0350,3490,636	MTB 400i W R TX /22°/L241/H50	Stk
44,0350,3491,636	MTB 400i W R TX /36°/L224/H86	Stk
44,0350,3492,636	MTB 400i W R TX /45°/L209/H107	Stk
44,0350,3490,637	MTB 400i W R TXM /22°/L241/H50	Stk
44,0350,3491,637	MTB 400i W R TXM /36°/L224/H86	Stk
44,0350,3492,637	MTB 400i W R TXM/45°/L209/H107	Stk
42,0100,1546	Einlaufstück TX Ø8/4,9	Stk
42,0401,0930	ISK-Schraube 912 M3x8 A2 C	Stk
42,0401,1083	Gewindestift 916 3x3 C	Stk
44,0350,3679	Brennerflansch TX_i kompl.	Stk
42,0100,1391	Brennerkappe TXi	Stk
42,0100,1416	Abdeckung Brenner TXi	Stk
42,0001,4242	Mutter zu Absaugr. TXi	Stk
42,0405,2123	Verschluß kompl. TX M	Stk
42,0001,4511	Verriegelungsring TX M	Stk
42,0100,0518	Einlaufstück TX 4,9	Stk
44,0350,5297	BK TXi MTB R	Stk
44,0350,0044	BK TXM MTB R	Stk
42,0001,4474	Gasdüse ø15/ø25x61 CT	Stk
42,0100,1329	Isolerring W ø20,8/14*7,3	Stk
42,0001,4037	Düsenstock M8x1,5/SW13x26,5	Stk
42,0405,0854	Spritzerschutz Ø10/Ø20,8x24m	Stk
42,0100,1156	Spritzerschutz ø14,5/ø18x21,3	Stk
42,0001,6336	Spannmutter Contec/SW11x19,5	Stk
44,0350,3426	Düsenstock Contec MD MTW500i	Stk
42,0100,1371	Isolerring Ø20,8/Ø14x8,5	Stk
42,0100,1373	Isolierteil G/W R	Stk
42,0405,0560	Überwurfmutter M40x1,5 20x18°	Stk

## MTB 400i W R /36°/L224/H86 (44,0350,3491)

Artikelnr.	Bezeichnung	Einheit
42,0402,0262	O-Ring 6x1mm NBR NT 70.11	Stk
42,0402,0236	O-Ring lø10x1,0 FPM75	Stk
42,0001,4651	Düsenstock M8x1,5/SW10x26,5mm	Stk
44,0350,3935	Gasdüse Ø15/Ø25x61 CT/H	Stk
42,0402,0317	O-Ring lø20x1,3 FKM	Stk
42,0001,4917	Gasdüse Engspalt Ø13/Ø25x62,5	Stk
42,0001,3912,10	Contec-Shell 10pcs MD	Stk
42,0001,3912,100	Contec-Shell 100pcs MD	Stk
42,0100,0591	SpritzerschutzØ10/Ø20,8x24mmHD	Stk
42,0100,1497	Isoliering ø20,7/ø14x15	Stk
42,0001,4919	Düsenstock M6/SW10x30	Stk
42,0001,4928	Kontaktrohr 0,6/M6/8x24mm	Stk
42,0001,6524,10	Kontaktrohr 0,7/M6/8x24mm	Stk
42,0001,4461,10	Kontaktrohr 0,8/M6/Ø8x24 10pcs	Stk
42,0001,4462,10	Kontaktrohr 0,9/M6/Ø8x24 10pcs	Stk
42,0001,4463,10	Kontaktrohr 1,0/M6/Ø8x24 10pcs	Stk
42,0001,6527,10	Kontaktrohr 1,1/M6/8x24mm	Stk
42,0001,4464,10	Kontaktrohr 1,2/M6/Ø8x24 10pcs	Stk
42,0001,6529,10	Kontaktrohr 1,3/M6/8x24mm	Stk
42,0001,4465,10	Kontaktrohr 1,4/M6/Ø8x24 10pcs	Stk
42,0001,6522,10	Kontaktrohr 1,5/M6/ø8x24 10Stk	Stk
42,0001,4466,10	Kontaktrohr 1,6/M6/Ø8x24 10pcs	Stk
42,0001,6482,10	Kontaktrohr 0,7/M8x1,5/10x32mm	Stk
42,0001,6464,10	Kontaktrohr 0,8/M8x1,5/ø10x32	Stk
42,0001,6465,10	Kontaktrohr 0,9/M8x1,5/ø10x32	Stk
42,0001,6466,10	Kontaktrohr 1,0/M8x1,5/ø10x32	Stk
42,0001,6483,10	Kontaktrohr 1,1/M8x1,5/10x32mm	Stk
42,0001,6467,10	Kontaktrohr 1,2/M8x1,5/ø10x32	Stk
42,0001,6484,10	Kontaktrohr 1,3/M8x1,5/10x32mm	Stk
42,0001,6468,10	Kontaktrohr 1,4/M8x1,5/ø10x32	Stk
42,0001,6485,10	Kontaktrohr 1,5/M8x1,5/10x32mm	Stk
42,0001,6469,10	Kontaktrohr 1,6/M8x1,5/ø10x32	Stk
42,0001,6470,10	Kontaktrohr 1,8/M8x1,5/ø10x32	Stk
42,0001,6471,10	Kontaktrohr 2,0/M8x1,5/ø10x32	Stk

## MTB 400i W R /36°/L224/H86 (44,0350,3491)

Artikelnr.	Bezeichnung	Einheit
42,0001,6472,10	Kontaktrohr 2,4/M8x1,5/ø10x32	Stk
42,0001,4642,10	Kontaktrohr 2,8/M8x1,5/ø10x32	Stk
42,0001,6537,10	Kontaktr. 0,8/M8x1,5/10x32 Al	Stk
42,0001,4750,10	Kontaktr. 1,0/M8x1,5/ø10x32 Al	Stk
42,0001,4751,10	Kontaktr. 1,2/M8x1,5/ø10x32 Al	Stk
42,0001,4752,10	Kontaktr.1,6/M8x1,5/ø10x32 Al	Stk
42,0001,6525,10	Kontaktrohr 0,8/M6/8x24mm-Al	Stk
42,0001,6526,10	Kontaktrohr 1,0/M6/8x24mm-Al	Stk
42,0001,6528,10	Kontaktrohr 1,2/M6/8x24mm-Al	Stk
42,0001,6523,10	Kontaktrohr 1,6/M6/8x24mm-Al	Stk
42,0402,0304	O-Ring lø25x1,5 FKM	Stk
42,0402,0305	O-Ring lø21x1,5 FKM	Stk
44,0350,3966	Gasdüse W 700i ø17/ø29,5x71	Stk
42,0001,4257	Gasdüsenmundstück Ø17/Ø29x29	Stk
44,0350,3942	Gasdüse W 700i ø17/ø29,5x76 HD	Stk
42,0001,4670	Gasdüsenmundstück ø17/29x34 HD	Stk
44,0350,4079	Gasdüse W 700i Ø17/Ø29,5x68,5	Stk
42,0001,4868	Gasdüsenmundstück Ø17/Ø29x26,5	Stk
44,0350,3936	Gasdüse Ø17/Ø25x61 CT/H	Stk
42,0001,6664	Gasdüse ø8/ø22x57 CT	Stk
42,0001,4083	Gasdüse ø10/ø22x54 CT	Stk
42,0001,4799	Gasdüse ø13/ø22x54 CT	Stk
42,0001,4477	Gasdüse ø13/ø22x56 CT	Stk
42,0001,4084	Gasdüse ø10/ø22x58 CT	Stk
42,0001,4498	Gasdüse ø13/ø22x58 CT/C	Stk
42,0001,4065	Gasdüse ø13/ø22x58 CT	Stk
42,0001,4493	Gasdüse ø15/ø22x58 CT	Stk
42,0001,4055	Gasdüse zyl ø18/ø22x58 CT	Stk
42,0001,4085	Gasdüse ø13/ø25x59 CT	Stk
42,0001,4048	Gasdüse ø15/ø25x59 CT	Stk
42,0001,4086	Gasdüse ø13/ø25x61 CT	Stk
42,0001,4789	Gasdüse ø15/ø27x61 CT HD	Stk
42,0001,4476	Gasdüse ø17/ø25x61 CT	Stk
42,0001,4080	Gasdüse ø13/ø25x63 CT	Stk

## MTB 400i W R /36°/L224/H86 (44,0350,3491)

Artikelnr.	Bezeichnung	Einheit
42,0001,4497	Gasdüse ø13/ø25x63 CT/C	Stk
42,0001,4051	Gasdüse ø15/ø25x63 CT	Stk
42,0001,4496	Gasdüse ø15/ø25x63 CT/C	Stk
42,0001,4050	Gasdüse ø17/ø25x63 CT	Stk
42,0001,4216	Gasdüse Ø17/Ø27x63 CT HD	Stk
42,0001,4494	Gasdüse ø17/ø25x63 CT/C	Stk
42,0001,4054	Gasdüse zyl ø21,1/ø25x63 CT	Stk
42,0001,4052	Gasdüse ø15/ø25x68 CT	Stk
42,0001,4049	Gasdüse ø17/ø25x68 CT	Stk
42,0001,4087	Gasdüse ø13/ø25x71 CT	Stk
42,0001,4788	Gasdüse ø15/ø25x71 CT	Stk
42,0001,4088	Gasdüse ø13/ø25x73 CT	Stk
42,0001,4475	Gasdüse ø15/ø25x73 CT	Stk
42,0001,4790	Gasdüse ø15/ø27x73 CT HD	Stk
42,0001,4495	Gasdüse ø15/ø25x75 CT/C	Stk
42,0001,4045	Gasdüse ø15/ø25x75 CT	Stk
42,0001,4043	Gasdüse ø17/ø25x75 CT	Stk
42,0001,4053	Gasdüse zyl ø21,1/ø25x75 CT	Stk
42,0001,4047	Gasdüse ø15/ø25x80 CT	Stk
42,0001,4533	Gasdüse ø13/ø25x37 CT	Stk
42,0001,4487	Gasdüse ø13/ø25x41 CT	Stk
42,0001,4534	Gasdüse ø13/ø25x41 CT/C	Stk
42,0001,4902	Gasdüse ø13/ø25x39,5 CT	Stk
42,0001,5023	Gasdüse ø15/ø25x39,5 CT	Stk
42,0001,4486	Gasdüse ø13/ø25x41 CT/H	Stk
42,0001,4745	Gasdüse Engspalt ø13/ø25x56 CT	Stk
42,0001,6772	Gasdüse Engspalt ø13/ø25x50 CT	Stk
42,0001,4858	Gasdüse ø13/Ø27x53 CT	Stk
42,0001,4857	Gasdüse ø15/Ø27x53 CT	Stk
42,0001,4856	Gasdüse ø15/Ø27x57 CT	Stk
44,0350,2020	Gasdüse ø15/ø27x67 CT	Stk
44,0350,2021	Gasdüse ø17/ø27x67 CT	Stk
44,0350,1991	Gasdüse ø15/ø27x74 CT	Stk
44,0350,1995	Gasdüse ø17/ø27x74 CT	Stk



## MTB 400i W R /36°/L224/H86 (44,0350,3491)

Artikelnr.	Bezeichnung	Einheit
44,0350,1987	Gasdüse ø15/ø27x80,5 CT	Stk
44,0350,1988	Gasdüse ø15/ø27x82,5 CT	Stk
44,0350,3179	Gasdüse ø17/ø27x83,5 CT	Stk
44,0350,3180	Gasdüse ø18/ø27x87,5 CT	Stk
42,0001,6715	Gasdüse Engspalt Ø10/Ø25x68 CT	Stk
42,0001,6716	Gasdüse Engspalt Ø13/Ø25x68 CT	Stk
42,0001,4918	Gasdüse Engspalt Ø13/Ø25x74,5	Stk
44,0350,2036	Gasdüse ø17/ø27x85	Stk
42,0001,0972	Gasdüse ø15/ø25x69,5	Stk
42,0001,0225	Gasdüse ø13/ø20x74 CT	Stk
42,0001,0226	Gasdüse zyl ø16/ø20x74 CT	Stk
44,0350,3708	TBL W Al /0,8/0,25m	Stk
44,0350,3718	TBL W Al /0,8/0,65m	Stk
44,0350,3709	TBL W Al /1,0/0,25m	Stk
44,0350,3719	TBL W Al /1,0/0,65m	Stk
44,0350,3710	TBL W Al /1,2/0,25m	Stk
44,0350,3720	TBL W Al /1,2/0,65m	Stk
44,0350,3711	TBL W Al /1,6/0,25m	Stk
44,0350,3721	TBL W Al /1,6/0,65m	Stk
44,0350,3712	TBL W Al /2,0/0,25m	Stk
44,0350,3722	TBL W Al /2,0/0,65m	Stk
44,0350,3713	TBL G Al /0,8/0,25m	Stk
44,0350,3723	TBL G Al /0,8/0,65m	Stk
44,0350,3714	TBL G Al /1,0/0,25m	Stk
44,0350,3724	TBL G Al /1,0/0,65m	Stk
44,0350,3715	TBL G Al /1,2/0,25m	Stk
44,0350,3725	TBL G Al /1,2/0,65m	Stk
44,0350,3716	TBL G Al /1,6/0,25m	Stk
44,0350,3726	TBL G Al /1,6/0,65m	Stk
44,0350,3717	TBL G Al /2,0/0,25m	Stk
44,0350,3727	TBL G Al /2,0/0,65m	Stk
42,0100,1369	Auslaufstück zu Seele MAG02	Stk
42,0100,1370	Verbindungsst. uni. zu Seele	Stk
40,0002,0040,015	Stahlseele blank 0,8 / 15m	Stk

## MTB 400i W R /36°/L224/H86 (44,0350,3491)

Artikelnr.	Bezeichnung	Einheit
40,0002,0040,005	Stahlseele blank 0,8 / 5m	Stk
40,0002,0041,005	Stahlseele blank 1,0 / 5m	Stk
40,0002,0042,005	Stahlseele blank 1,2 / 5m	Stk
40,0002,0043,005	Stahlseele blank 1,6 / 5m	Stk
40,0002,0043,015	Stahlseele blank 1,6 / 15m	Stk
40,0002,0042,015	Stahlseele blank 1,2 / 15m	Stk
40,0002,0041,015	Stahlseele blank 1,0 / 15m	Stk
40,0002,0040,050	Stahlseele blank 0,8 / 50m	Stk
40,0002,0041,050	Stahlseele blank 1,0 / 50m	Stk
40,0002,0042,050	Stahlseele blank 1,2 / 50m	Stk
40,0002,0043,050	Stahlseele blank 1,6 / 50m	Stk
40,0002,0044,005	CrNi-Seele blank 0,8 / 5m	Stk
40,0002,0045,005	CrNi-Seele blank 1,0 / 5m	Stk
40,0002,0046,005	CrNi-Seele blank 1,2 / 5m	Stk
40,0002,0047,005	CrNi-Seele blank 1,6 / 5m	Stk
40,0002,0044,015	CrNi-Seele blank 0,8 / 15m	Stk
40,0002,0045,015	CrNi-Seele blank 1,0 / 15m	Stk
40,0002,0046,015	CrNi-Seele blank 1,2 / 15m	Stk
40,0002,0047,015	CrNi-Seele blank 1,6 / 15m	Stk
40,0002,0044,050	CrNi-Seele blank 0,8 / 50m	Stk
40,0002,0045,050	CrNi-Seele blank 1,0 / 50m	Stk
40,0002,0046,050	CrNi-Seele blank 1,2 / 50m	Stk
40,0002,0047,050	CrNi-Seele blank 1,6 / 50m	Stk
40,0001,0529,010	Graphitseele 0,8(4,7/1,2) 10m	Stk
40,0001,0530,010	Graphitseele 1,0(4,7/1,5) 10m	Stk
40,0001,0531,010	Graphitseele 1,2(4,7/1,8) 10m	Stk
40,0001,0532,010	Graphitseele 1,6(4,7/2,4) 10m	Stk
40,0001,0533,010	Graphitseele 2,0(4,7/3,0) 10m	Stk
40,0001,0529,030	Graphitseele 0,8(4,7/1,2) 30m	Stk
40,0001,0530,030	Graphitseele 1,0(4,7/1,5) 30m	Stk
40,0001,0531,030	Graphitseele 1,2(4,7/1,8) 30m	Stk
40,0001,0532,030	Graphitseele 1,6(4,7/2,4) 30m	Stk
40,0001,0533,030	Graphitseele 2,0(4,7/3,0) 30m	Stk
40,0001,0529,100	Graphitseele 0,8(4,7/1,2) 100m	Stk

## MTB 400i W R /36°/L224/H86 (44,0350,3491)

Artikelnr.	Bezeichnung	Einheit
40,0001,0530,100	Graphitseele 1,0(4,7/1,5) 100m	Stk
40,0001,0531,100	Graphitseele 1,2(4,7/1,8) 100m	Stk
40,0001,0532,100	Graphitseele 1,6(4,7/2,4) 100m	Stk
40,0001,0533,100	Graphitseele 2,0(4,7/3,0) 100m	Stk
40,0002,0052,050	Stahlseele C 0,8 / 50 m	Stk
40,0002,0052,005	Stahlseele C 0,8 / 5 m	Stk
40,0002,0052,015	Stahlseele C 0,8 / 15 m	Stk
40,0002,0053,050	Stahlseele C 1,0 / 50 m	Stk
40,0002,0053,005	Stahlseele C 1,0 / 5 m	Stk
40,0002,0053,015	Stahlseele C 1,0 / 15 m	Stk
40,0002,0054,050	Stahlseele C 1,2 / 50 m	Stk
40,0002,0054,005	Stahlseele C 1,2 / 5 m	Stk
40,0002,0054,015	Stahlseele C 1,2 / 15 m	Stk
40,0002,0055,050	Stahlseele C 1,6 / 50 m	Stk
40,0002,0055,005	Stahlseele C 1,6 / 5 m	Stk
40,0002,0055,015	Stahlseele C 1,6 / 15 m	Stk
44,0450,1938	Werkzeugset Gasdüsenaufnahme	Stk
42,0201,3216	Multitool TB wear parts	Stk
40,0009,0044	Fett O-Ring transparent	Stk
40,0009,0158	Kupferpaste OKS 240 10g	Stk
42,0410,0570	Kontaktrohrschlüssel SW7 M8/M6	Stk
42,0410,0138	Kontaktrohrschlüssel SW8	Stk
43,0009,0044	GASMENGENMESSER TWIN	Stk
43,0009,0007	GASMENGENMESSER BIS 25 L/MIN	Stk
42,1000,0064	Prüfspitze TCP M8x1,5/L32/SO19	Stk
42,1000,0065	Prüfspitze TCP M8x1,5/L32/SO21	Stk
42,1000,0066	Prüfspitze TCP M8x1,5/L32/SO2	Stk
42,0001,4885	Prüfspitze TCP M6/L24/SO 12	Stk
42,0001,6256	Prüfspitze TCP M6 MTG 3200	Stk
42,0001,4125	Prüfspitze TCP M6/24 SO 17	Stk
42,0001,4871	Prüfspitze TCP M8x1,5/L32/SO12	Stk
42,0001,4872	Prüfspitze TCP M8x1,5/L32/SO14	Stk
42,0001,4275	Prüfspitze TCP M6/24 SO13	Stk
42,0001,4126	Prüfspitze TCP M6/24 SO 15	Stk

## MTB 400i W R /36°/L224/H86 (44,0350,3491)

Artikelnr.	Bezeichnung	Einheit
42,0001,4277	Prüfspitze TCP M8x1,5 SO15	Stk
42,0001,4278	Prüfspitze TCP M8x1,5 SO17	Stk
42,0435,0210	Drehmoment-Schrauber Minor F/H	Stk
42,0435,0158	BIT-Einsatz Inbus 2,5mm	Stk
42,0435,0186	Bit-Einsatz Inbus 1,5 - 50mm	Stk
45,0200,1261	Dr. Mutternschl. gekr. F/E BE	Stk
42,0411,1315	Drehmomentschl. 18Nm	Stk
42,0409,0390	Dr.Montageschlüssel zu TX_M BY	Stk
BY2,0201,4347	Schlüssel zu Absaugbr. TX_i	Stk
42,0435,0090	Drehmomentschlüssel 5-25 NM	Stk
44,0450,1481	Gasdüsenf. AØ16,5/lØ14x28/8,5	Stk
44,0450,1385	Gasdüsenfräser AØ14,0/lØ9,0	Stk
44,0450,1482	Gasdüsenfräser AØ12/lØ10/9	Stk
44,0450,1015	Gasdüfr. AØ14,5/lØ11,8x32/lØ11	Stk
44,0450,1193	Drosselventil 0-10bar 1/8´´ D6	Stk
44,0450,1161	Gasdüsenfräser AØ16,5/lØ11,0	Stk
44,0450,1160	Gasdüsenfräser AØ14,5/lØ11,0	Stk
44,0450,1485	Gasdüsenfräser AØ12/lØ10	Stk
44,0450,1016	Gasdüfr. AØ16,5/lØ12x32/lØ11	Stk
44,0450,1158	Gasdüsenfräser AØ12,0/lØ9,0	Stk
44,0450,1480	Gasdüsenfräser AØ9/lØ7	Stk
44,0450,1014	Gasdüsenfräser AØ16,5/lØ12x17	Stk
44,0450,1013	Gasdüsenfräser AØ14,5/lØ12	Stk
44,0450,1483	Gasdüsenfr AØ16,5/lØ14x17/8,5	Stk
44,0450,1486	Gasdüsenfräser AØ16,5/lØ14/8,5	Stk
42,0001,5317	Gasdüsenfräser AØ14,5/lØ12,5/9	Stk
42,0001,5019	Gasdüsenfräser AØ14,5/lØ11,0	Stk
42,0001,5020	Gasdüsenfräser AØ12,0/lØ9,0	Stk
42,0001,5315	Gasdüsenfräser AØ12,0/lØ9,0	Stk
42,0001,5109	ZENTRIERHÜLSE M10X1,25 PRÜF.RA	Stk
42,0001,4229	Zentrierhülse M8x1,5 Prüf. RA	Stk
42,0001,5561	Zentrierhülse M6 Prüfv. RA	Stk
44,0360,0073	Prüf- Richtvorrichtung /i G/W	Stk
42,0001,5108	ZENTRIERHÜLSE M8 PRÜFVORR. RA	Stk



## MTB 400i W R /36°/L224/H86 (44,0350,3491)

Artikelnr.	Bezeichnung	Einheit
42,0100,1410	Richthalbschale $\varnothing 33,8/\varnothing 16,5 \times 26$	Stk
42,0100,1409	Richthalbschale $\varnothing 33,8/\varnothing 18,5 \times 26$	Stk
44,0450,1945	Hebel Richtvorrichtung RA $\varnothing 34$	Stk
42,0001,6099	Zentrierdorn $l=200$	Stk
44,0350,0233	Richthalbschalenset $\varnothing 20$	Stk
44,0350,3490	MTB 400i W R /22°/L241/H50	Stk
44,0350,3491	MTB 400i W R /36°/L224/H86	Stk
44,0350,3492	MTB 400i W R /45°/L209/H107	Stk
44,0350,5241	Richtvorr. /i G/W Grundset	Stk
44,0350,5235	Richtset MTB 400i/500i W	Stk
42,0001,4692	Richthülse MTB 400i/500i W R	Stk
42,0001,4700	Düsenstockersatz MTB400/500i W	Stk